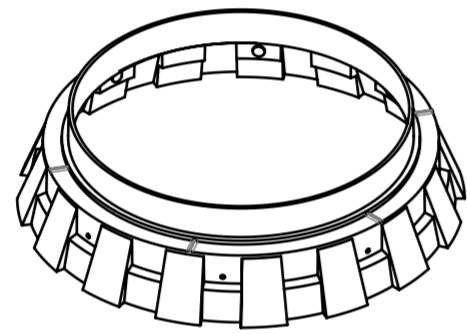
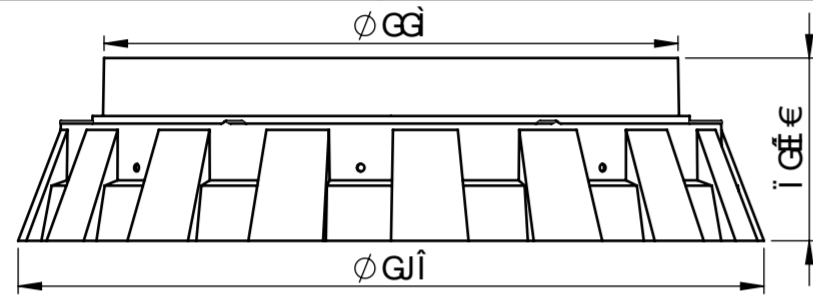
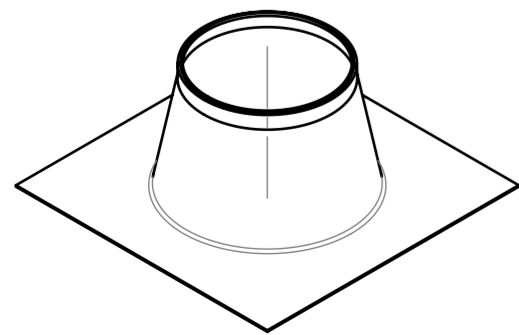
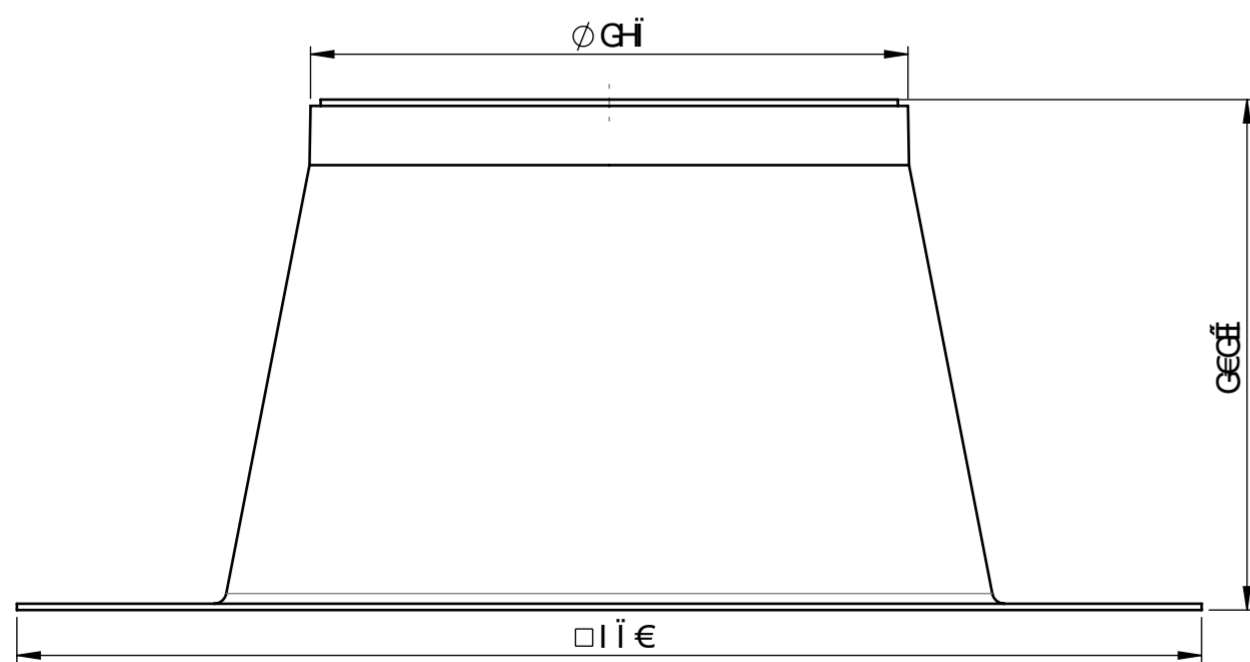


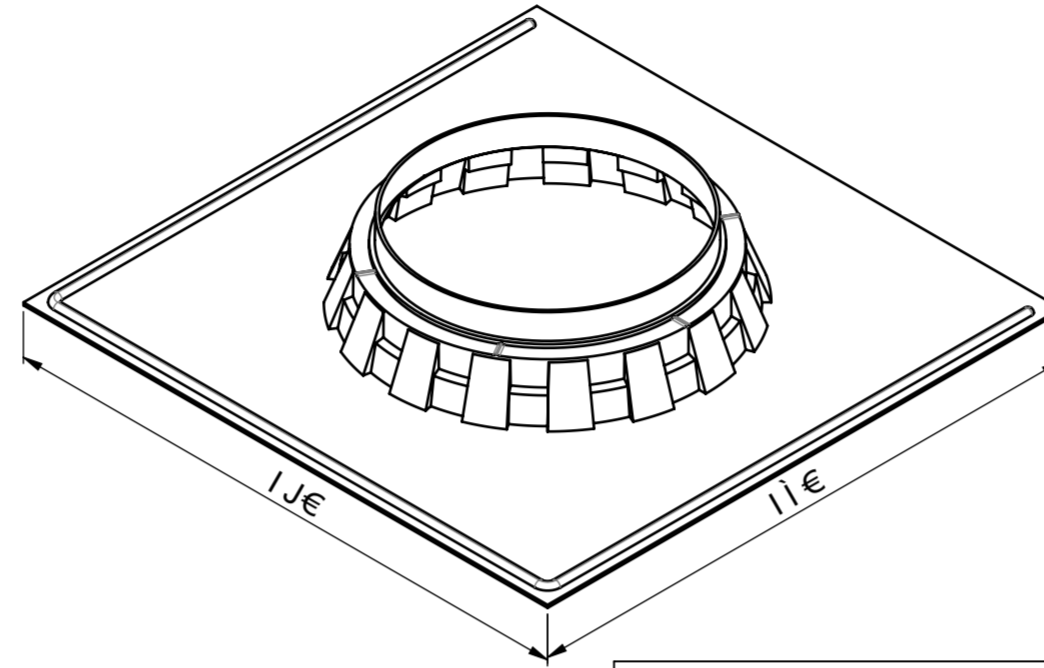
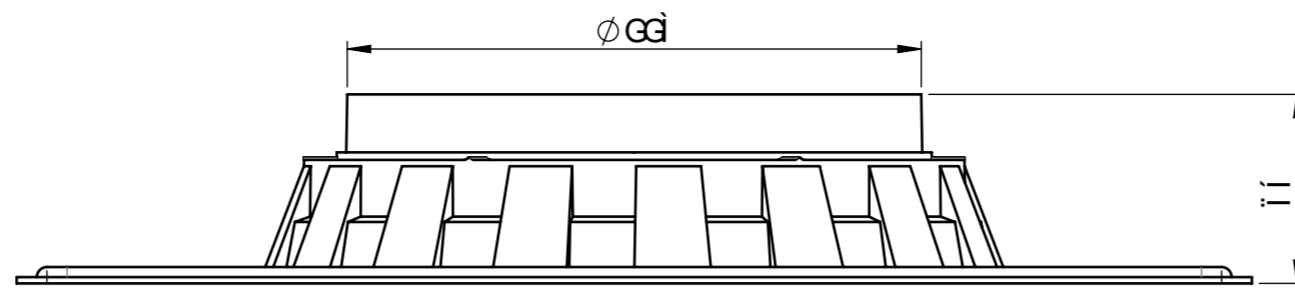
8 CA 9



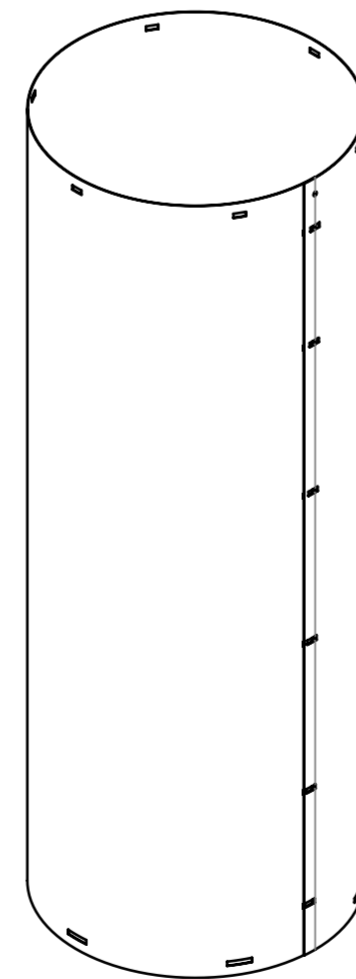
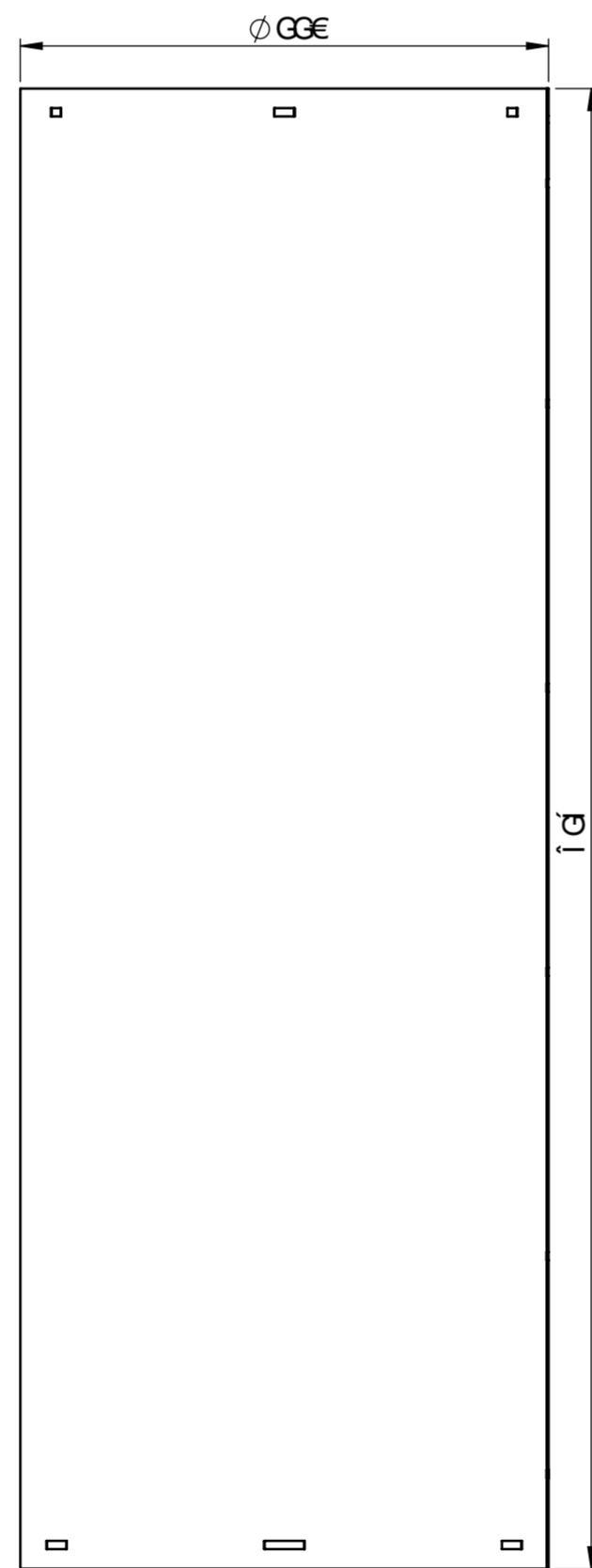
7 C @ G F



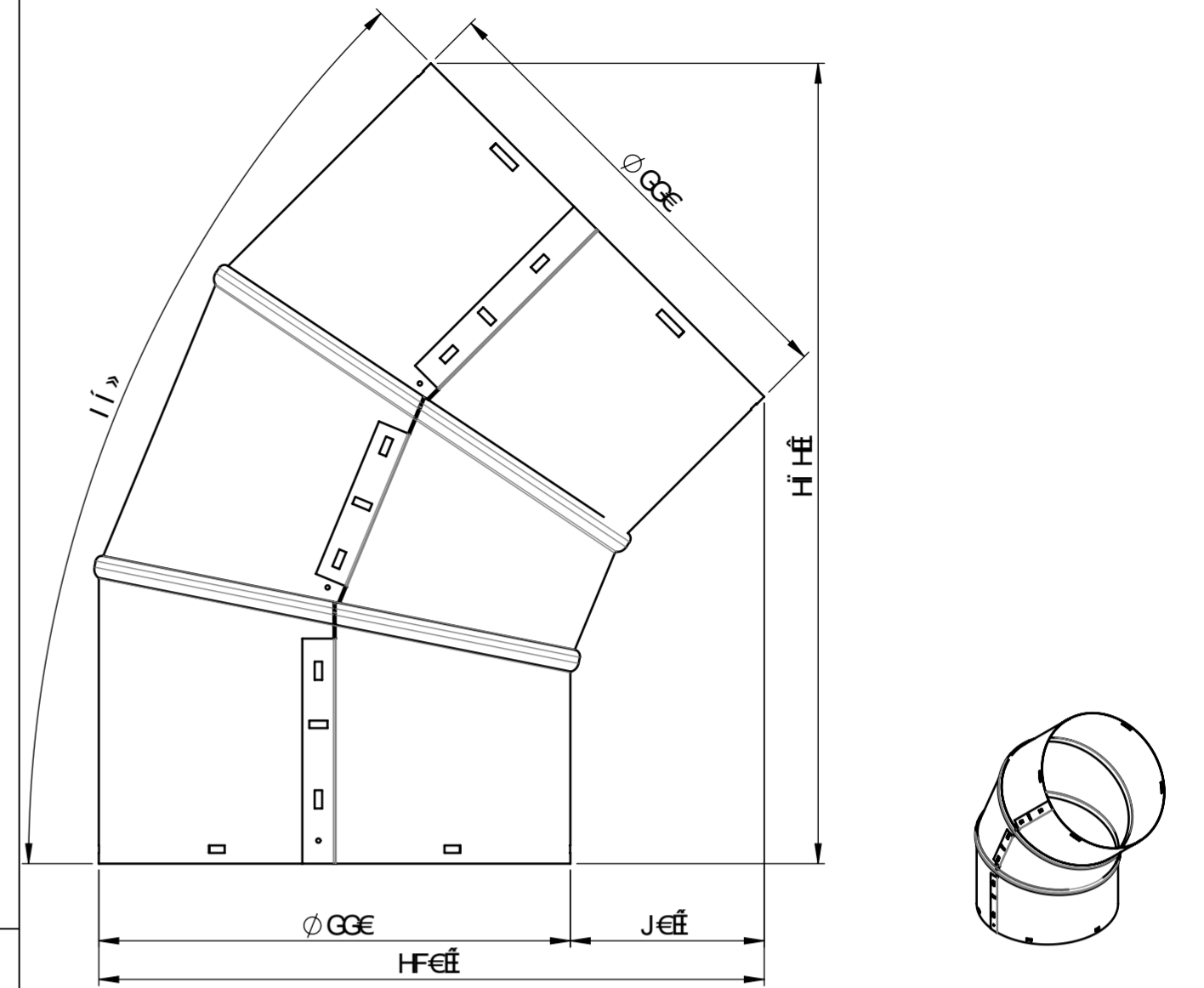
: @ G < B; ' D @ H 9 : C F : @ H F C C : G



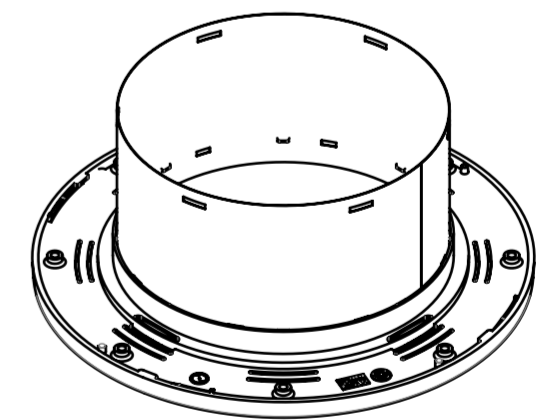
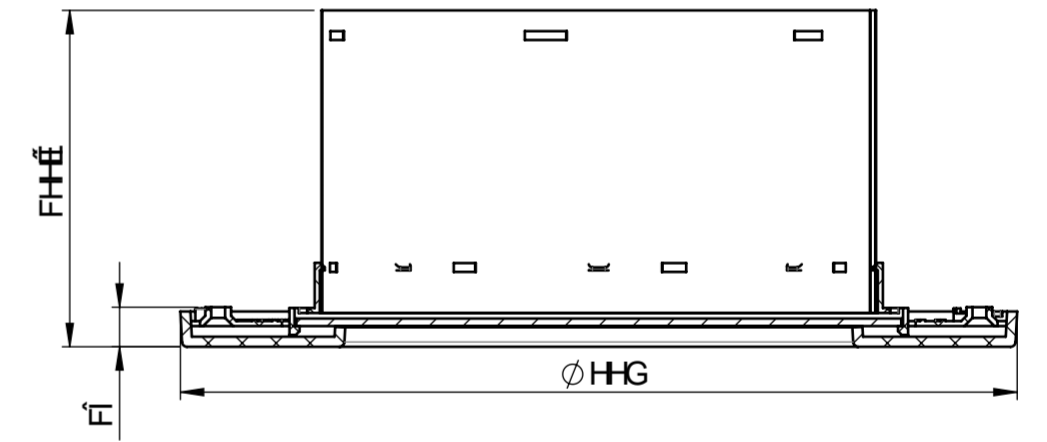
: @ G < B; ' D @ H 9 : C F ' D + 17 < 98 ' FCC: G



H I 69 * &) a a



58 > I G H 56 @ ' 9 @ C K () s



Techin.it

8 = I G 9 F

@ < H K 5 M
7 F M G H 5 @ ' \$ \$ < D

lightway[®]
tubular skylights